

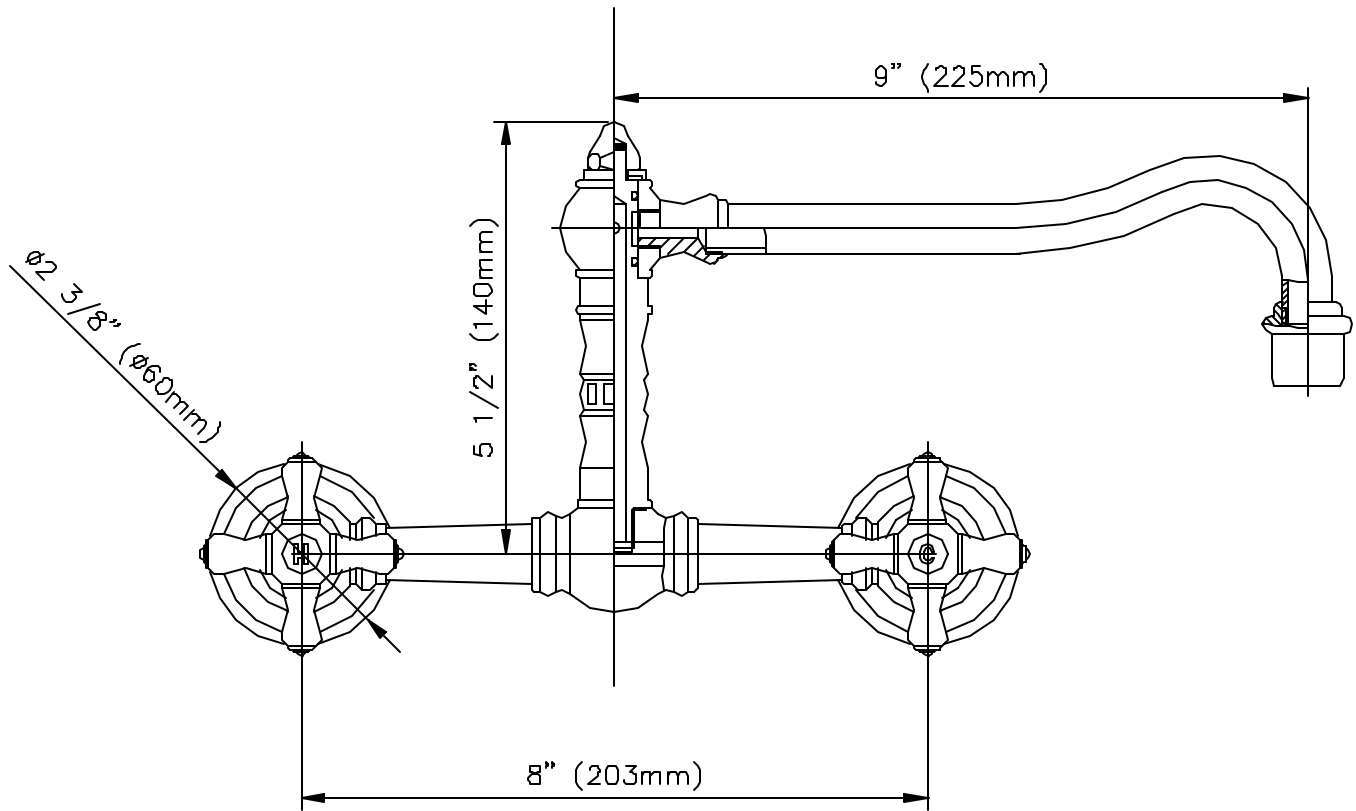
# TECHNICAL SPECIFICATIONS

Highlands Series: Wall Mount Kitchen with 9" Spout

26x260

Highlands#

267 260 xxx



2935 Amwiler Road  
Atlanta, GA 30360-6001



Phone: 800.528.4904  
Fax: 800.528.1969

5663305 / 983ED011W01



# TECHNICAL SPECIFICATIONS

## Highlands Series: Wall Mount Kitchen with 9" Spout

26x260

### Installation instructions:

#### Rough in:

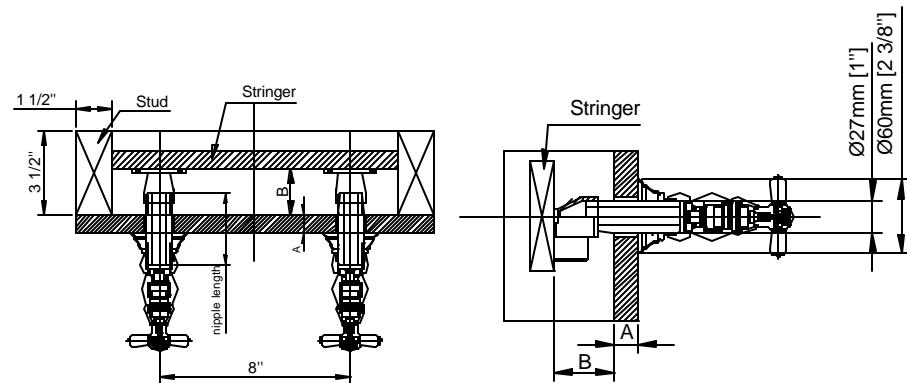
- Step 1: Estimate the finish wall thickness and refer to the rough-in depth chart using the provided 3" nipple
- Step 2: Using the two 3/4" drop ear elbows provided, rough the elbows in at the correct depth from chart (depth B). Make certain that elbows are placed exactly on 8" centers.
- Step 3: Thread the nipple into the elbow\* using appropriate thread sealant. If trim is to be installed at a later time, place the plastic cap over the end of the nipple to protect threads.

#### Trim:

- Step 4: Thread escutcheons onto nipple and secure flush to finish wall
- Step 5: Install faucet by threading finished union nut onto nipple. Draw faucet firmly to wall making sure the nipple compresses gasket seal within the union nut.
- Step 6: Remove aerator and flush line of any debris.
- Step 7: Re-install aerator for operation

#### Note:

- Qty. 2-3" brass nipples included in box.
- Qty. 2-3/4" FIPx3/4" SWT 90° drop ear elbows included in box



A - Finished Wall Thickness		B - Rough-in depth		
From	To	Provided Nipple	Alternate nipples available upon request	
		3" nipple [#3445010]	2 1/2" nipple [#34400117]	3 1/2" nipple [#34400118]
1/8"	3/8"	2 1/2"	2"	3"
3/8"	5/8"	2 1/4"	1 3/4"	2 3/4"
5/8"	7/8"	2"	x	2 1/2"
7/8"	1 1/8"	1 3/4"	x	2 1/4"

\*Be sure to insert tapered end of nipple into drop elbow as the opposite end has straight threads needed to affix trim.