

Modular pressure balance valve – 4 ports

44150030

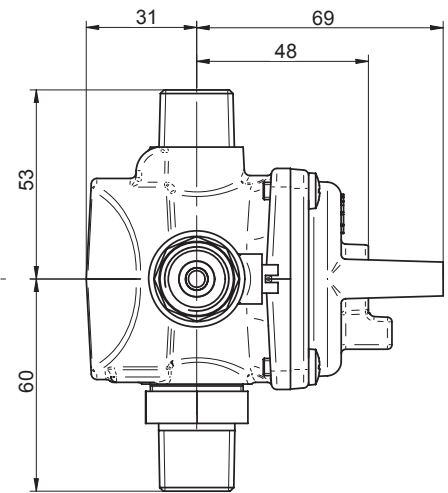
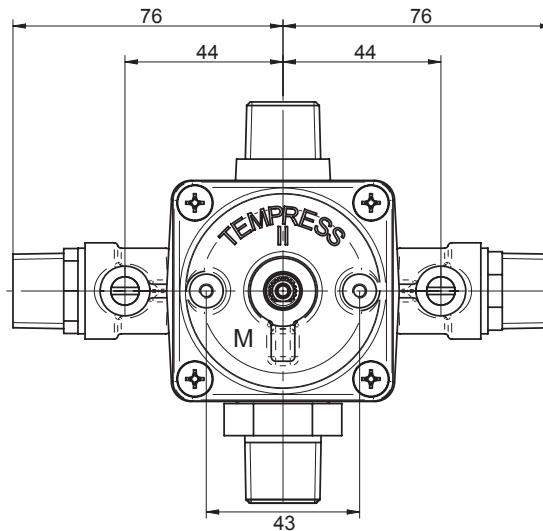
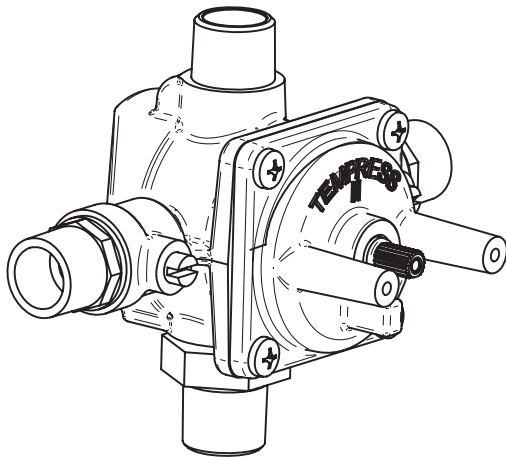


Description

The new modular pressure balance rough-in valve replaces the existing valve and offers the convenience of a second outlet that can be used with a diverter¹, or can be capped off. Tempress pressure balance valves offer protection from scalding and cold shocks. The rotating handle control provides the user with precise temperature control and a wide comfort zone.

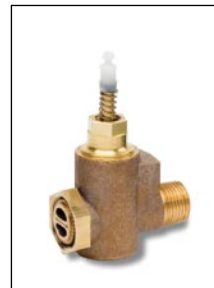
Features and Benefits

- Built-in service ball stops for convenience
- Check valves to prevent cross flow, reduce water hammer and direct water to cartridge
- ½" NPT male-C x C universal connections
- Protection against scalding and cold water shock provided by the diaphragm which compensates for water pressure fluctuations
- Temperature control within 3.6°F (2°C) of set point even with a 50% water pressure drop
- Reversible cartridge allows back to back installation, eliminating additional piping
- Shallow valve body suitable for thin wall installations
- Reduced stop to stop dimension allows for smaller escutcheons (trims)
- Elimination of inserts inside the valve cavity reduces replacement parts and trouble shooting
- Reduced overall dimensions thanks to a redesign of the valve and addition of a captive inlet O-ring to divert water
- Visual cartridge alignment and seating facilitates cartridge replacement

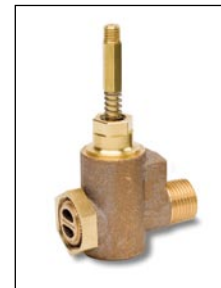


Optional Fittings

- ¹ 31150010 Automatic diverter assembly w/plastic link
- ¹ 31150015 Automatic diverter assembly w/brass link
- ¹ 31150005 Manual Diverter assembly



31150010



31150015



31150005

Technical Data

Min. operating pressure: 20 psi (140KPa)
Max. operating pressure: 125 psi (860 KPa)
Max. burst pressure: 500 psi (3450 KPa)
Max. hot water temperature : 180°F (80°C)
Flow rate: Tub 6.8 USGPM (26 l/min) @ 50 psi (345 KPa)
Shower 5.3 USGPM (20 l/min) @ 50 psi (345 KPa)

Approvals

Approved to CSA B125,
ASME A112.18.1, and
ASSE 1016 standards.



Product and specifications subject to change without notice.